



baelz 373-P32

DESCRIPTION

baelz 373-P32 compact pneumatic linear actuators with aluminum housing EN AC-ALSi9Cu3(Fe) and NBR diaphragm. For control valves sized DN 200 and upwards.

TECHNICAL SPECIFICATIONS

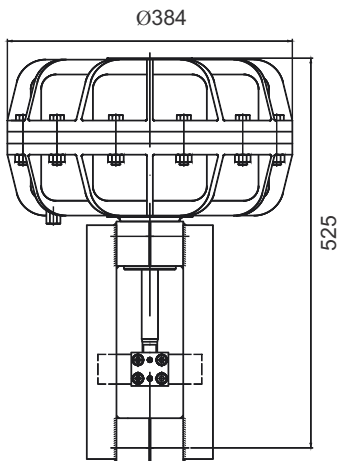
Ambient conditions: temperature: 0 ... +80°C;
 relative humidity: 0 ... 90%
 Max. supply air pressure: 6 bar
 Air connection: push-in fitting for tube Ø 8 mm
 Yoke, coupling and fasteners made of zinc plated steel.
 Stroke: 66 mm
 Number of springs: 3, 6, 18

OPTIONS

Fo = Spring above: spindle extended is normal position. The springs extend the spindle, compressed air retracts the spindle.
Fu = Spring below: spindle retracted is normal position. The springs retract the spindle, compressed air extends the spindle.
Yoke options:
 S41 - for valve control without cooling tube
 S41 - for valve control with cooling tube

Designation	Options				Weight, approx. (kg)
	Valve Spindle Ø (mm)	Force (N)	Min. supply air pressure (bar)	Nº. springs	
P32-3-Fo/Fu-S41	Ø 22	2201	3	3	34.2
P32-3-Fo/Fu-S41C					38.2
P32-6-Fo/Fu-S41		4402	3	6	36
P32-6-Fo/Fu-S41C					40
P32-18-Fo/Fu-S41		8115	6	18	39
P32-18-Fo/Fu-S41C					43

baelz 373-P32 dimensions (mm)



Actuator baelz
373-P32-S41